









QUAD-8



Key Features

-  **Made in USA / NDAA Compliant**
Designed and built in the United States and fully NDAA compliant.
-  **No RF Signature**
Fiber Optic tether cable means no wireless data transmission and a silent RF signature
-  **Modular Payload Design**
Truly MOSA enabled EO/IR, communications modules, EW sensors, and other custom payloads
-  **Heavy/Multi Payload Configuration**
Increase payload capacity with Quad-8 allows heavy and multiple payloads to be utilized
-  **Redundant Backup Flight Battery**
A backup battery allows for redundancy and safe landing even with a ground power failure.
-  **Custom Carbon Fiber Structure**
High-strength, carbon fiber frame built for heavy payload applications.
-  **Foldable Arms & Propellers**
Foldable motor arms with locking quick-release design, make setup of UAV less than 1 minute.
-  **Mission-Critical Reliability**
Built for high-reliability performance in demanding operational environments.

Specifications

Tether Cable

Length	Up to 400ft (220V)
Cable Type	Copper and Fiber Optic
Fiber Type	Single Mode, up to 10gbs
Outer Shielding	Braided, non-memory Kevlar

UAV

Type	Octocopter, Mavlink-Enabled
Backup Battery	12S LiPo, 6500 mah, 6-12 min
Navigation	GPS/Glonass/Beidou/Galileo
GPS Protection**	InfiniDome Sunstone
Noise	Less than 55 dB at 300ft ALT
Flight Geofence	45 ft
Payload Power	150W 5V, 12V, 24V
Payload Data	RJ45 (HDMI, USB Optional)

** (Optional)

Dimensions and Weight

Diameter (w/o props)	29.13 in (740mm)
Diameter (w/ props)	48.82 in (1240mm)
Folded Diameter	20.87 in (530 mm)
Height	17.72 in (450 mm)
MTOW	52 lb (23.59 kg)
Maximum Payload	20 lb (9.07 kg)
Transportation Case	Pelican 0370

Environmental

Wind	30 mph / 35 mph Gust
Precipitation	Light-Medium (0.3 in/hr)
Temperature Range	4°F - 122°F (20°C - 50°C)



Payload Types

NextVision Raven 2.5



Octopus E180MG



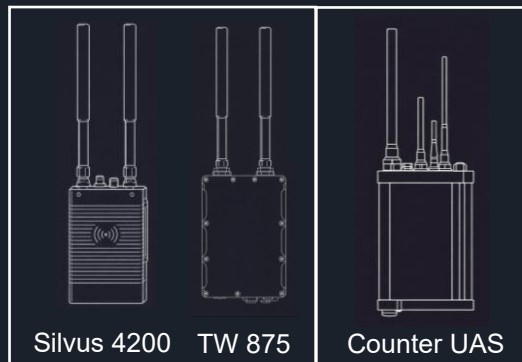
High-performance stabilized imaging with long-range EO/IR capabilities, delivering clear, actionable ISR data in demanding and dynamic environments.

Compact, lightweight EO/IR payload delivering crisp, stabilized imaging and reliable real-time intelligence for tactical ISR missions.

Advanced MWIR payload with enhanced features superior thermal sensitivity, long-range zoom, advanced image processing, and precision stabilization, delivering clear, reliable thermal ISR.

Radio Relay

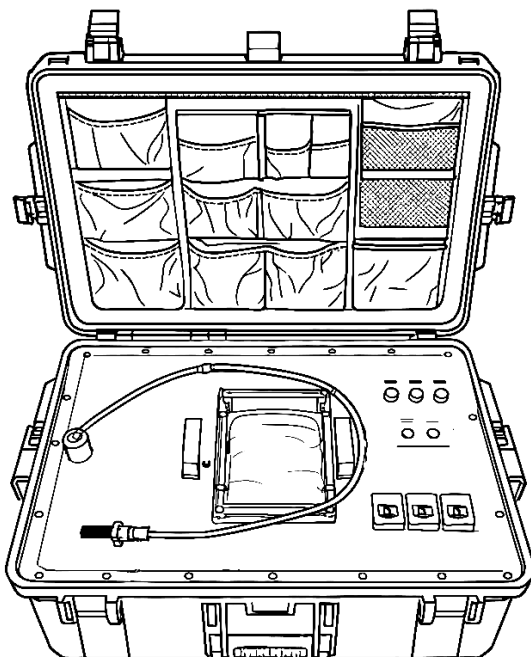
Our Tethered UAS act as a VHA or Variable Height Antenna, which elevates relay radios above terrain and obstructions to provide extended line-of-sight, more reliable connectivity, and persistent communications coverage in denied or hard-to-reach environments.



Other Data Intelligence Payloads

Our Tethered UAS are designed to support a wide range of data and intelligence payloads, including C-UAS, RF sensing, radar, electronic warfare, and onboard processing systems. The modular architecture and high lift capacity enable seamless integration of advanced data collection, fusion, and analytics technologies for flexible, mission-specific operations.

Ground Power Unit



Key Features

- Automated Tether Management**
Integrated reel system with auto-tension control for smooth, hands-free tether operation.
- Flexible Power Input**
Compatible with 240V AC sources from generators to grid power for versatile deployment anywhere.
- Smart Tether Spool System**
Interchangeable and intelligent spool modes and design supports different mission requirements.

Specifications

Tether Tension

Type	Tension-based
Modes	Low, Medium, High

Dimensions and Weight

Length	20.4 in (51.8 cm)
Width	31.3 in (79.5 cm)
Height	15.5 in (39.4 cm)
Weight	72 lb (32.7 kg)



© 2026 Zenith Aerotech | a SAM registered small business | CAGE CODE 8RUK5 | DUNS 117713413 | EIN/TAX ID 84-5131514
The information contained herein is intended only for the person or entity to which it is address and may contain confidential and/ or privileged material. You are notified that any review, retransmission, dissemination or other use of, or taking of any action in reliance upon, this information by persons or entities other than the intended receiving is prohibited.

To learn more, visit zenithaerotech.com or call

(540) 456-1147